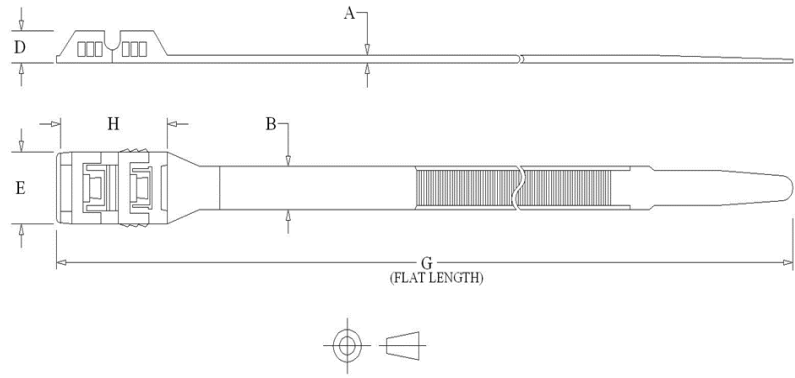


Revision Number	Approved	Date
1	Kefalidis Pavlos	10/1/2020



Flammability Glass	Material	Colour	Cable Range (mm)	A	B	D	E	G	H	Min Loop Tensile Strength
V2 acc. to UL 94	PA-66	Natural	min. 25	1.80 ±0.2	9.01 ±0.2	6.60 ±0.3	15.85 ±0.5	380.2 ±5.0	24.97 ±0.5	800 N 80 Kg.
	PA-66	Black	max. 103							
	PA66UV	Black UV								
	PA-66	Colored								



<b>CODE</b>
03-045 Natural 03-245 Black Standard 03-845 Black UV 03-345 Red 03-445 Yellow 03-545 Green 03-645 Blue
<b>Operating Temperature</b>
- 25 °C + 85 °C

<b>Standard</b>	<b>Packing</b>
	50pcs. / Bag 600pcs. / Box

**ArtePlast**CableTies

Industrial Area Florina  
53100 GREECE  
Ph: +30 2385041300  
E-mail: info@arteplast.eu

<b>Scale</b>	2:01	<b>Computer File Number</b> ACT 38090
<b>Title</b> 380mm x 9,0mm CABLE TIE		
<b>Drawing - No</b> <b>ACT 3045234568</b>		<b>Format</b> A4

<b>Format</b> A4	
Sheet 1 of 1	